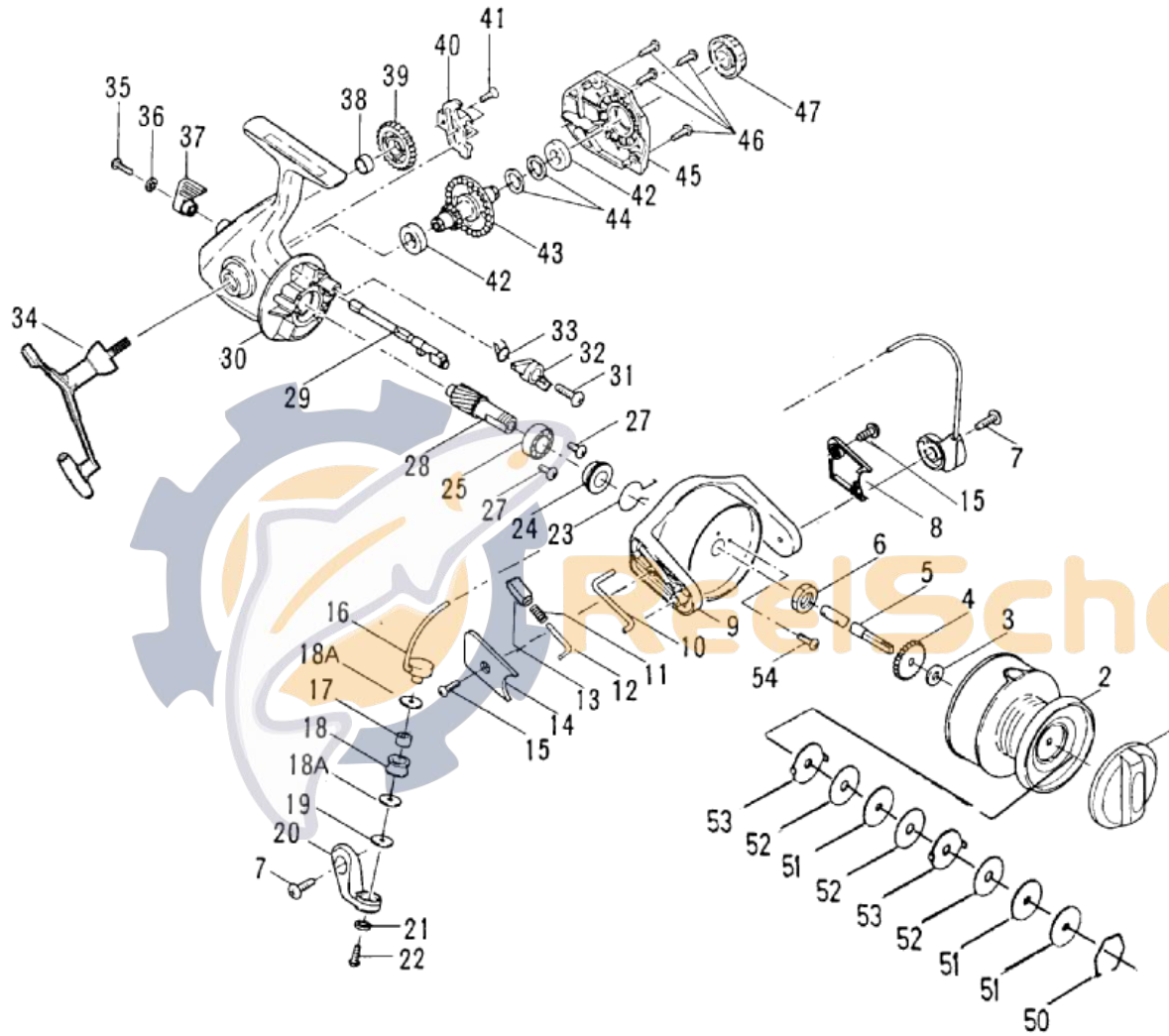




PARTS LIST FOR MODEL PG3000



KEY NO.	DESCRIPTION	PART NO.
1	Drag Knob Asm. w/Spring	052 3000
2	Spool Assembly	047 3000
3	Thrust Washer	060 3000
4	Click Ratchet	040B3000
5	Spool Shaft	039 3000
6	Rotor Nut	038 3000
7	Arm Screws (2 req.)	031A3000
8	Cam Cover	227 3000P
9	Rotor Cup	027 3000P
10	Cam Lever	028A3000P
11	Pivot Spring	034C3000P
12	Pivot Shaft	034B3000P
13	Pivot Guide	034D1500P
14	Bail Pivot Cover	027A3000P
15	Cover Screws (2 req.)	022 875
16	Bail Wire Assembly	024 3000P
17	Line Roller Bushing	035A3000
18	Line Roller	035 3000
18A	Roller Washer Teflon Washer (2 req.)	035B1000P
19	Line Roller Washer	132 3000
20	Bail Arm	034 3000P
21	Lock Washer	036A103
22	Bail Stud Screw	036 1000
23	Silent Dog Spring	230 3000
24	Pinion Spacer	019A3000
25	Ball Bearing	020 3000
27	Bearing Mtg. Screw (2 req.)	022 875
28	Pinion Gear	019 3000
29	Eccentric Shaft	006A3000
30	Housing	001 3000P
31	Dog Mounting Screw	003 3000
32	Anti-Reverse Dog	004 3000
33	Dog Spring	004A3000
34	Handle Assembly	015 3000P
35	Eccentric Lever Mtg. Screw	006F3000
36	Lock Washer	036A103
37	Eccentric Lever	006E3000
38	Crosswind Gear Bushing	231A3000
39	Crosswind Gear	231 3000
40	Crosswind Gear Block	043 3000
41	Screw	044 1500
42	Cover & Housing Bushings (2 req.)	002A3000
43	Main Gear	008 3000P
44	Main Gear Shim	008A3000
45	Housing Cover	045 3000P
46	Cover Screws (4 req.)	046 1000
47	Bearing Cover	233 3000
48 **	Spool Click Tongue	048 1000P
48A **	Click Tongue Screw	049 103CS
49 **	Click Tongue Spring	022 103CS
50	Drag Retaining Ring	051 3000
51	Keyed Drag Washers (3 req.)	057 3000
52	Teflon Drag Washers (3 req.)	006 3000
53	Ear Drag Washers (2 req.)	058 3000
54	Rotor Nut Locking Screw	305A875

**Not Shown